

ROANWELL CORPORATION

FALCON

SERIES HEADSET

The Falcon headset is the flagship of the Roanwell headset line. It is designed for high stress applications in high ambient noise conditions, can handle the toughest environments and can be customized for almost any current communication systems.

This rugged headset is designed, manufactured and tested to provide maximum comfort, exceptional noise attenuation and unsurpassed clarity. Attention to the ergonomic engineering created a fit that will compete with a "custom design" by others.

FEATURES INCLUDE:

- FAA TSO approved C57a Cat B. and C58a Cat B,
- Meets noise attenuation requirements of MIL-DTL-83511 and MIL-PRF-87819.
- Headband and microphone/boom adjustments without tools.
- Boom rotates 320 degrees for comfortable and secure position on the left or right side.
- Dynamic M-87 microphone has 3-way adjustment without tools.
- Dynamic H-143 / AIC receivers.
- Microphone cord will allow connection to an oxygen/chemical mask.
- Foam-filled headband with washable sock.
- Ear cushions available with foam or gel filled per customer's specifications
- Colors Available: Green, Black, Grey
- Active Noise Reduction (ANR) variant available
- Passive NRR: 26dB
- **Proudly Designed and Manufactured in the USA**
Roanwell can customize products to suit any customer's needs, please enquire about customer variants on Roanwell's website.

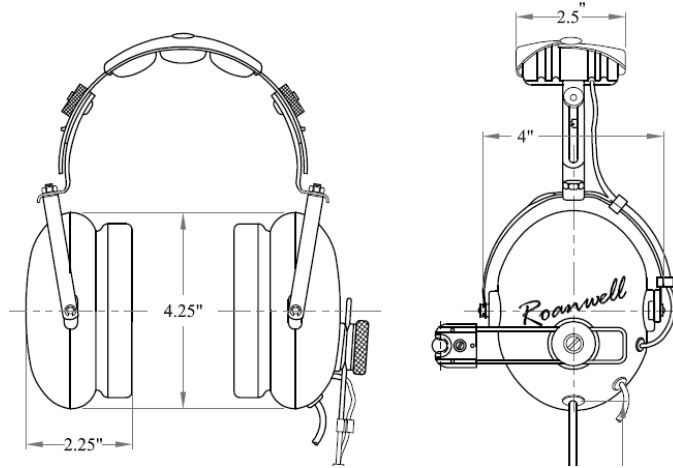


Roanwell
CORPORATION

ROANWELL CORPORATION | 2564 Park Avenue | Bronx, NY 10451 | T. (718) 401.0288 | F. (718) 401.0663
Email: sales@roanwellcorp.com | www.roanwellcorp.com | © Roanwell Corporation 2016. All Rights Reserved
Roanwell is a woman and veteran owned, Hubzone, small business

ROANWELL CORPORATION
FALCON
 SERIES HEADSET

HEADSET DIMENSIONS



ATTENUATION TABLE

| Frequency (Hz) | 125 | 250 | 500 | 1000 | 2000 | 4000 | 8000 | NRR |
|----------------|-----|-----|-----|------|------|------|------|-----|
| Passive | 14 | 19 | 26 | 26 | 28 | 30 | 28 | 26 |

PRODUCT SPECIFICATIONS

Military Standards:
 FAA Approval
 Operational Temperatures

Mil-H-83511 and Mil-H-87819
 TSO-C57a Cat B and TSO-C58a Cat B
 -22°F to 140°F (-30°C to 60°C)

Microphone:
 Type
 Impedance
 Frequency Range

M-87, M101 or custom variant
 150 Ω Standard or Per Customer Specification
 200Hz to 6kHz (Standard)

Earphone:
 Type
 Impedance
 Frequency Range

H-143 or custom variant
 19 Ω Standard or Per Customer Specification
 200Hz to 6kHz (Standard)

Connector:

U-174 Standard or Per Customer Specification

Specifications are subject to change without notice and shall not form part of any contract. They are issued for guidance purposes only.

All specifications are customizable per customer's specifications



Roanwell
 CORPORATION

ROANWELL CORPORATION | 2564 Park Avenue | Bronx, NY 10451 | T. (718) 401.0288 | F. (718) 401.0663

Email: sales@roanwellcorp.com | www.roanwellcorp.com | © Roanwell Corporation 2016. All Rights Reserved